

# Keysight N5470A 90000, 90000 X, and V-Series Oscilloscope Rack Mount Kit

# Notices

© Keysight Technologies 2007, 2015, 2016

No part of this manual may be reproduced in any form or by any means (including electronic storage and retrieval or translation into a foreign language) without prior agreement and written consent from Keysight Technologies, Inc. as governed by United States and international copyright laws.

## Manual Part Number

N5470-92002

## Edition

Edition 3, February 2016

Printed in Malaysia

Published by:  
Keysight Technologies, Inc.  
1900 Garden of the Gods Rd.  
Colorado Springs, CO 80907 USA

## Warranty

**The material contained in this document is provided “as is,” and is subject to being changed, without notice, in future editions. Further, to the maximum extent permitted by applicable law, Keysight disclaims all warranties, either express or implied, with regard to this manual and any information contained herein, including but not limited to the implied warranties of merchantability and fitness for a particular purpose. Keysight shall not be liable for errors or for incidental or consequential damages in connection with the furnishing, use, or performance of this document or of any information contained herein. Should Keysight and the user have a separate written agreement with warranty terms covering the material in this document that conflict with these terms, the warranty terms in the separate agreement shall control.**

## Technology Licenses

The hardware and/or software described in this document are furnished under a license and may be used or copied only in accordance with the terms of such license.

## U.S. Government Rights

The Software is “commercial computer software,” as defined by Federal Acquisition Regulation (“FAR”) 2.101. Pursuant to FAR 12.212 and 27.405-3 and Department of Defense FAR Supplement (“DFARS”) 227.7202, the U.S. government acquires commercial computer software under the same terms by which the software is customarily provided to the public. Accordingly, Keysight provides the Software to U.S. government customers under its standard commercial license, which is embodied in its End User License Agreement (EULA), a copy of which can be found at

<http://www.keysight.com/find/sweula>.

The license set forth in the EULA represents the exclusive authority by which the U.S. government may use, modify, distribute, or disclose the Software. The EULA and the license set forth therein, does not require or permit, among other things, that Keysight: (1) Furnish technical information related to commercial computer software or commercial computer software documentation that is not customarily provided to the public; or (2) Relinquish to, or otherwise provide, the government rights in excess of these rights customarily provided to the public to use, modify, reproduce, release, perform, display, or disclose commercial computer software or commercial computer software documentation. No additional government requirements beyond those set forth in the EULA shall apply, except to the extent that those terms, rights, or licenses are explicitly required from all providers of commercial computer software pursuant to the FAR and the DFARS and are set forth specifically in writing elsewhere in the EULA. Keysight shall be under no obligation to update, revise or otherwise modify the Software. With respect to any technical data as defined by FAR 2.101, pursuant to FAR 12.211 and 27.404.2 and DFARS 227.7102, the U.S. government acquires no greater than Limited Rights as defined in FAR 27.401 or DFAR 227.7103-5 (c), as applicable in any technical data.

## Safety Notices

### CAUTION

A **CAUTION** notice denotes a hazard. It calls attention to an operating procedure, practice, or the like that, if not correctly performed or adhered to, could result in damage to the product or loss of important data. Do not proceed beyond a **CAUTION** notice until the indicated conditions are fully understood and met.

### WARNING

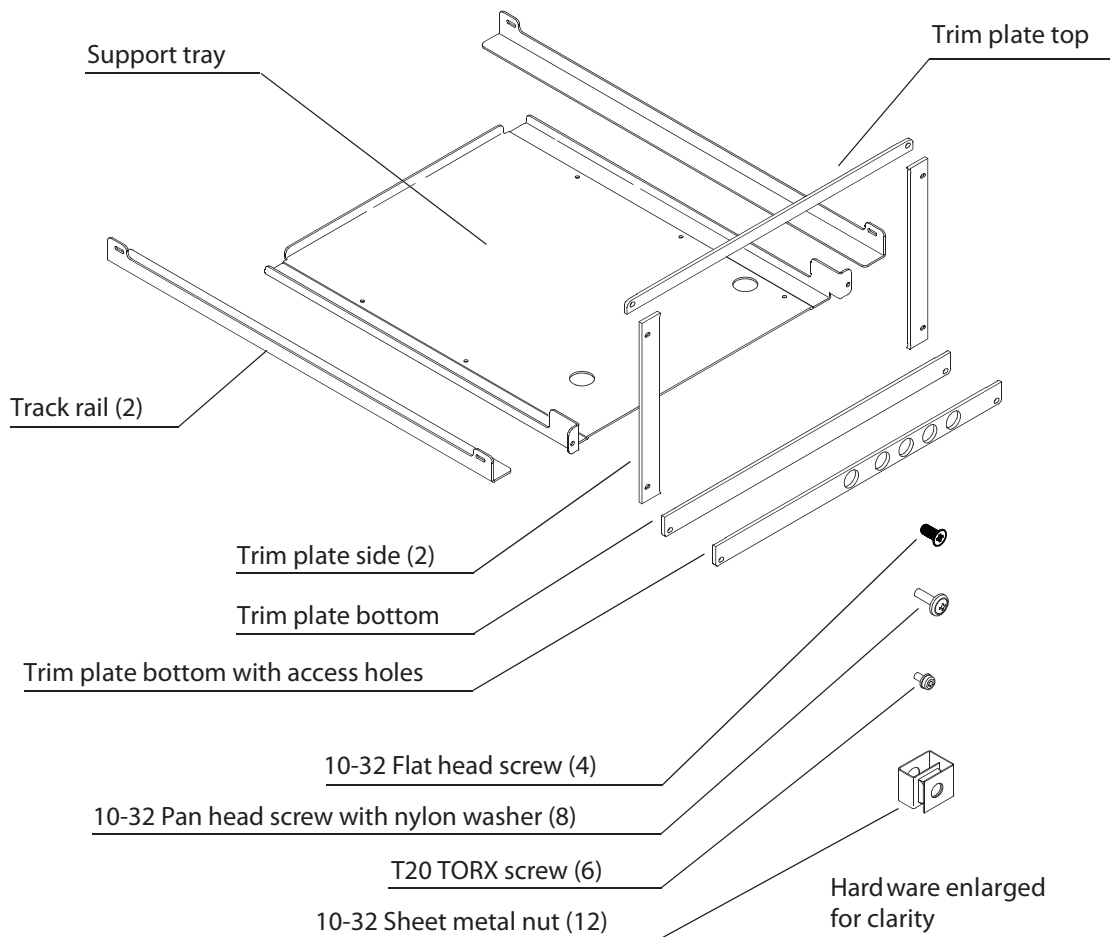
A **WARNING** notice denotes a hazard. It calls attention to an operating procedure, practice, or the like that, if not correctly performed or adhered to, could result in personal injury or death. Do not proceed beyond a **WARNING** notice until the indicated conditions are fully understood and met.

## In This Guide

This guide contains instructions for installing the Keysight N5470A Rack Mount Kit. The rack mount kit provides a support shelf and hardware for mounting Infiniium 90000 Series, 90000 X-Series, and V-Series oscilloscopes into Electronic Industries Association (EIA) standard 19-inch (487-mm) rack cabinets.

### Included parts

The rack mount kit includes the following parts:



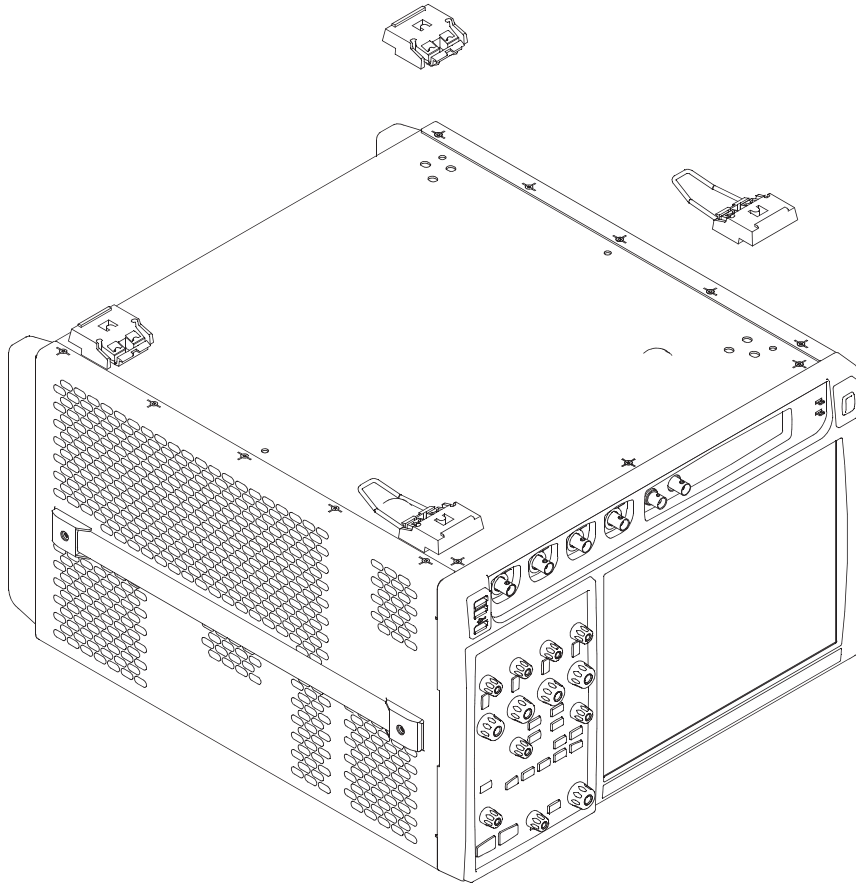
## Installation

The following tools are required for installing the rack mount kit:

- T20 TORX driver
- #2 Phillips screwdriver

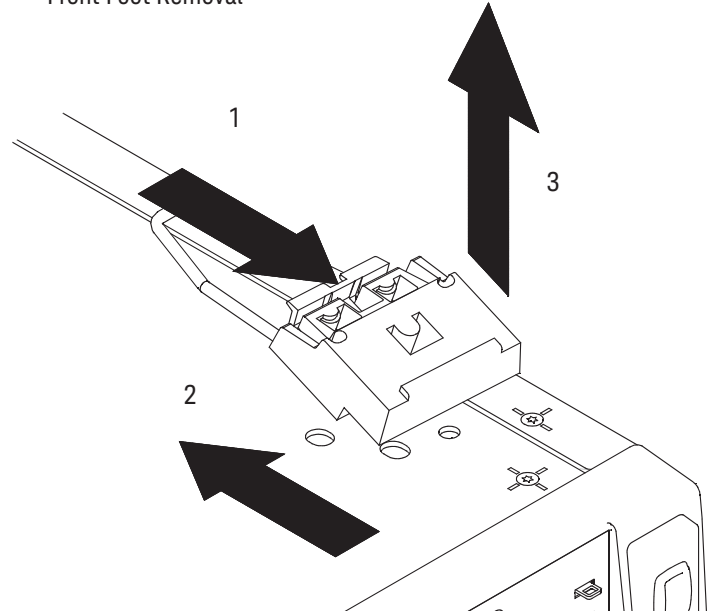
### Attaching the oscilloscope to the support shelf

- 1 Place the oscilloscope upside down so the feet can be removed to expose support tray mounting holes.

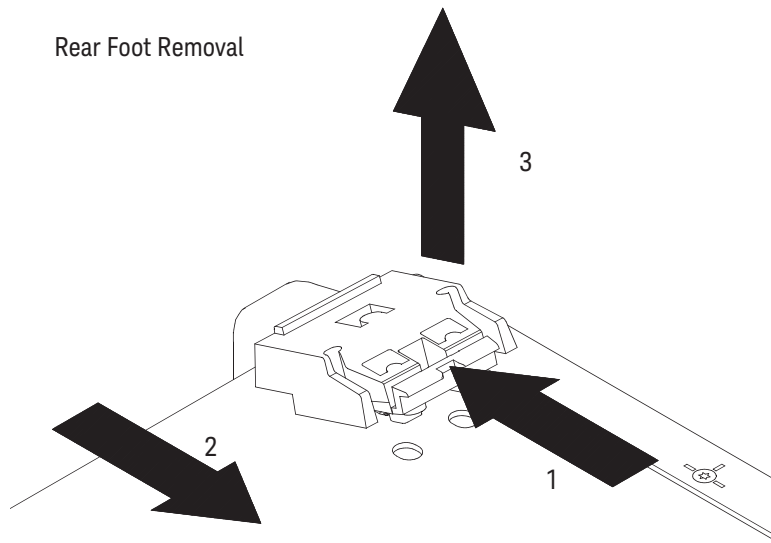


- 2 Grasp the feet firmly and squeeze the tab in the directions shown (1), slide (2), and lift off (3).

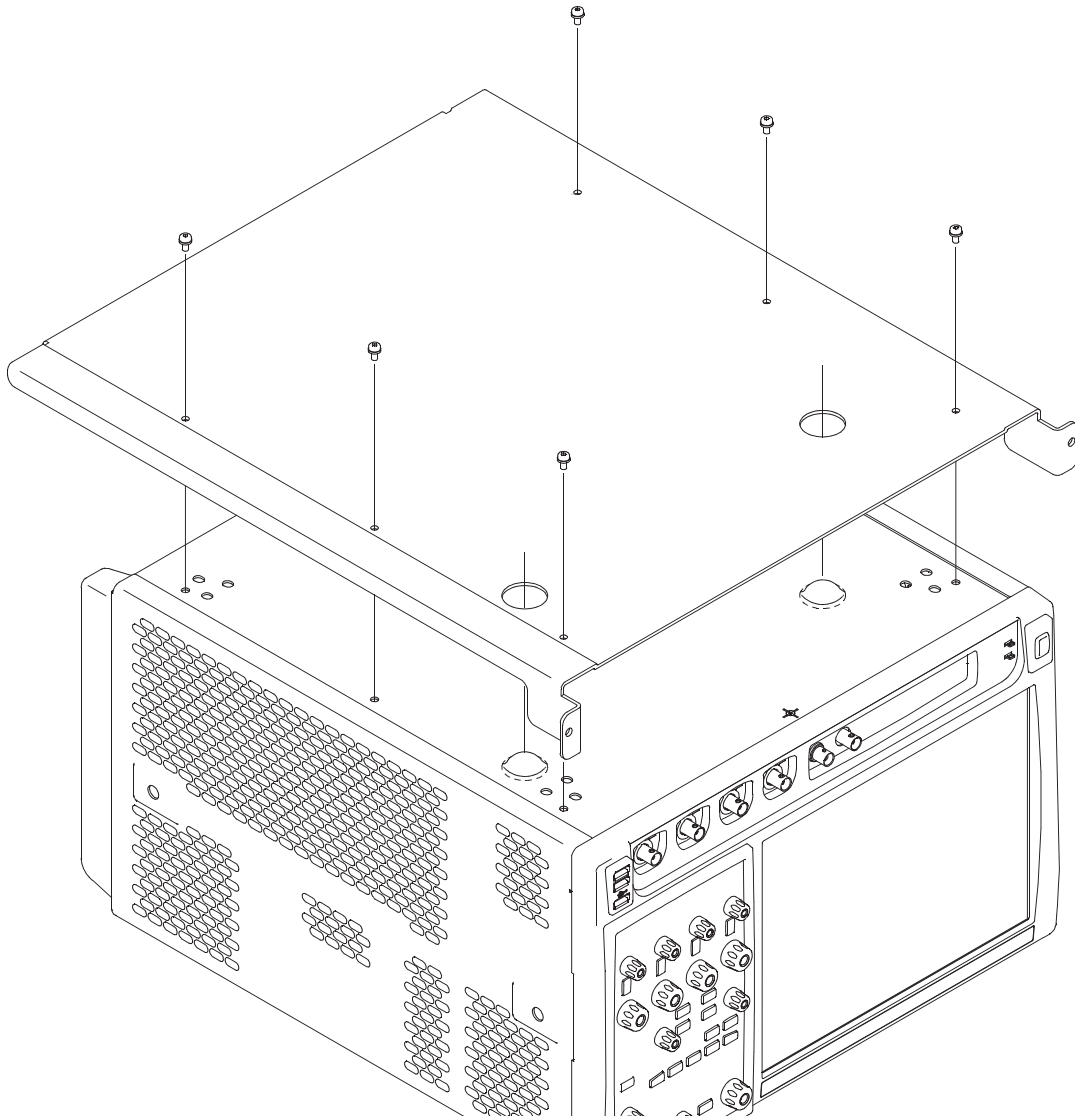
#### Front Foot Removal



#### Rear Foot Removal

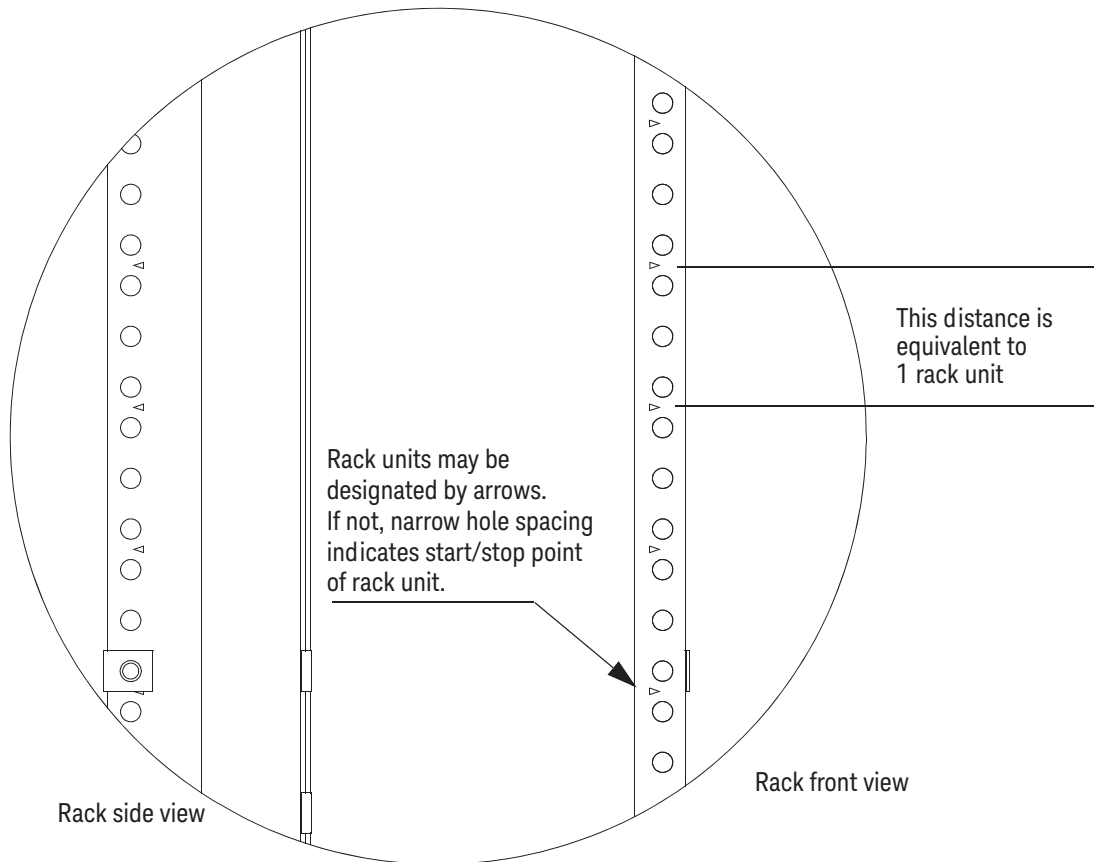


- 3 If the oscilloscope is a V-Series model, remove the side handles.
- 4 Once all feet have been removed, attach the support tray to the bottom of the oscilloscope by aligning the six mounting holes on the support tray with the matching mounting holes on the bottom of the oscilloscope as shown. Secure the support tray with the six T20 TORX screws (supplied).

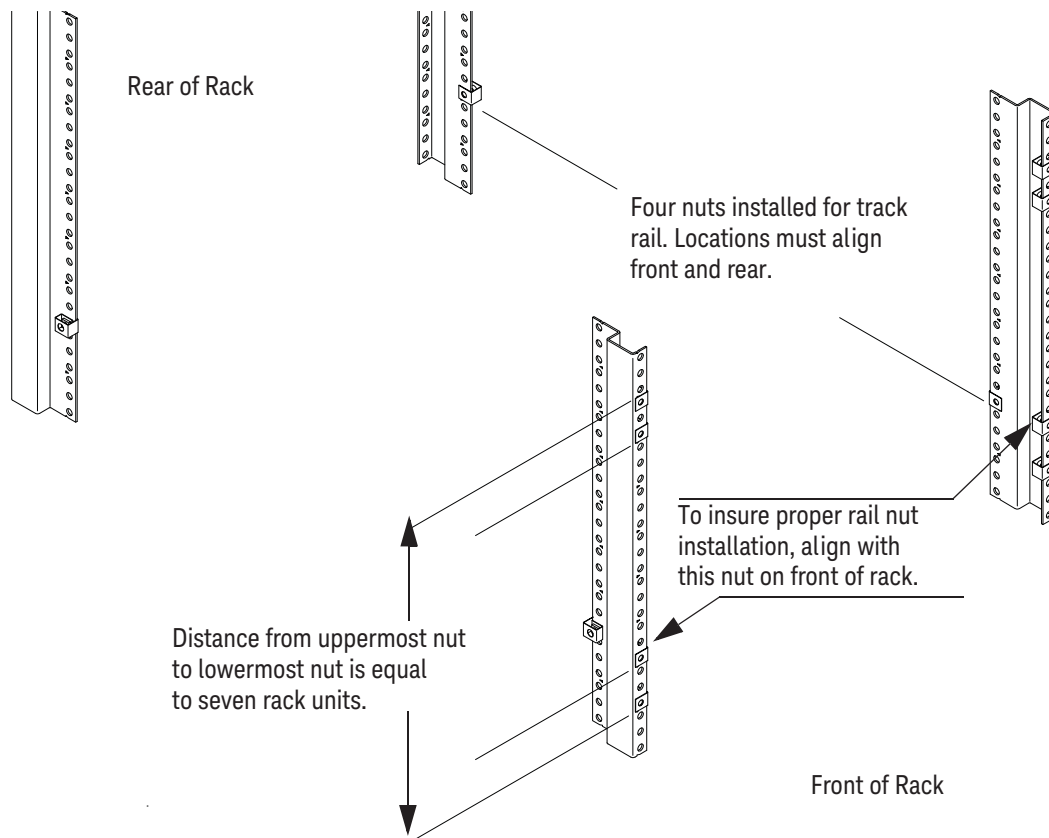


## Preparing the rack

- 5 To prepare the rack for sheet metal nut installation, seven rack mount units must be designated for use. The following diagram shows how to determine a rack unit.

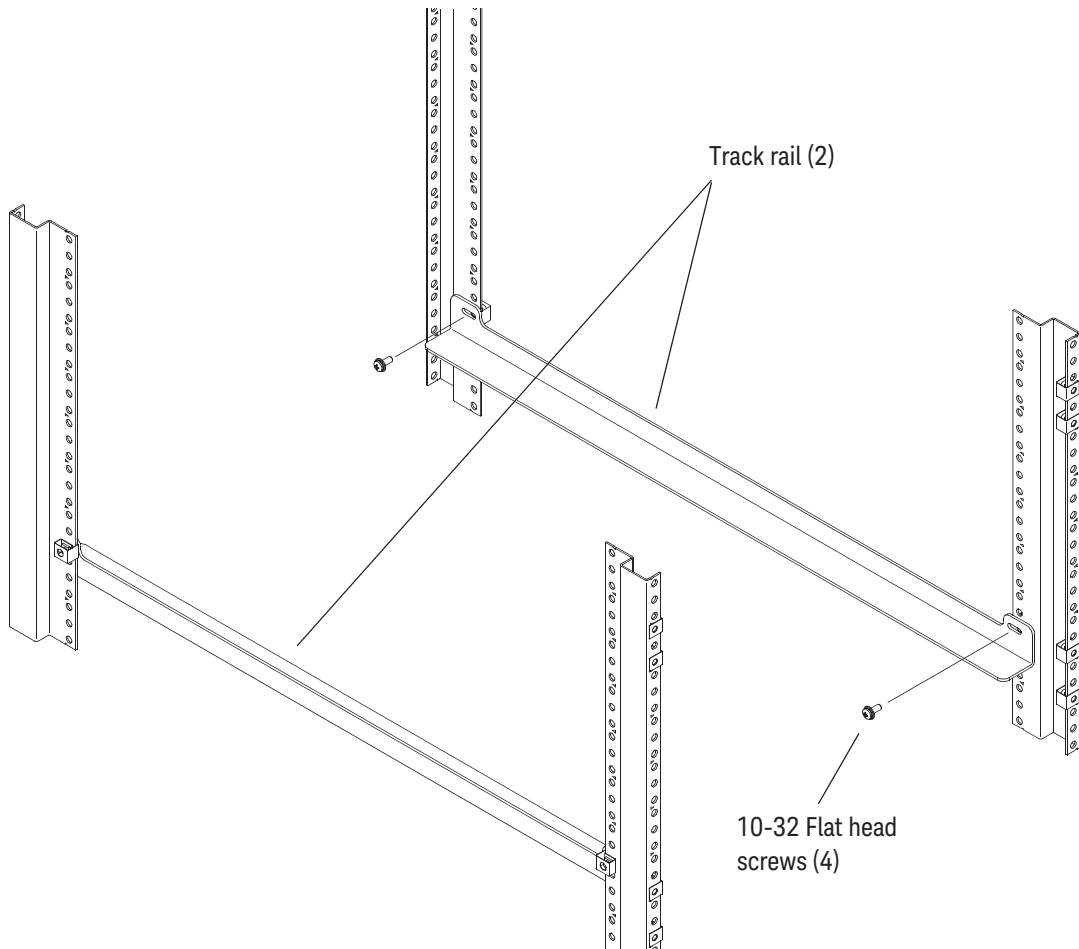


The following figure indicates proper locations for sheet metal nut locations. To ensure a level installation, the same seven rack unit locations are used on each vertical rack piece.



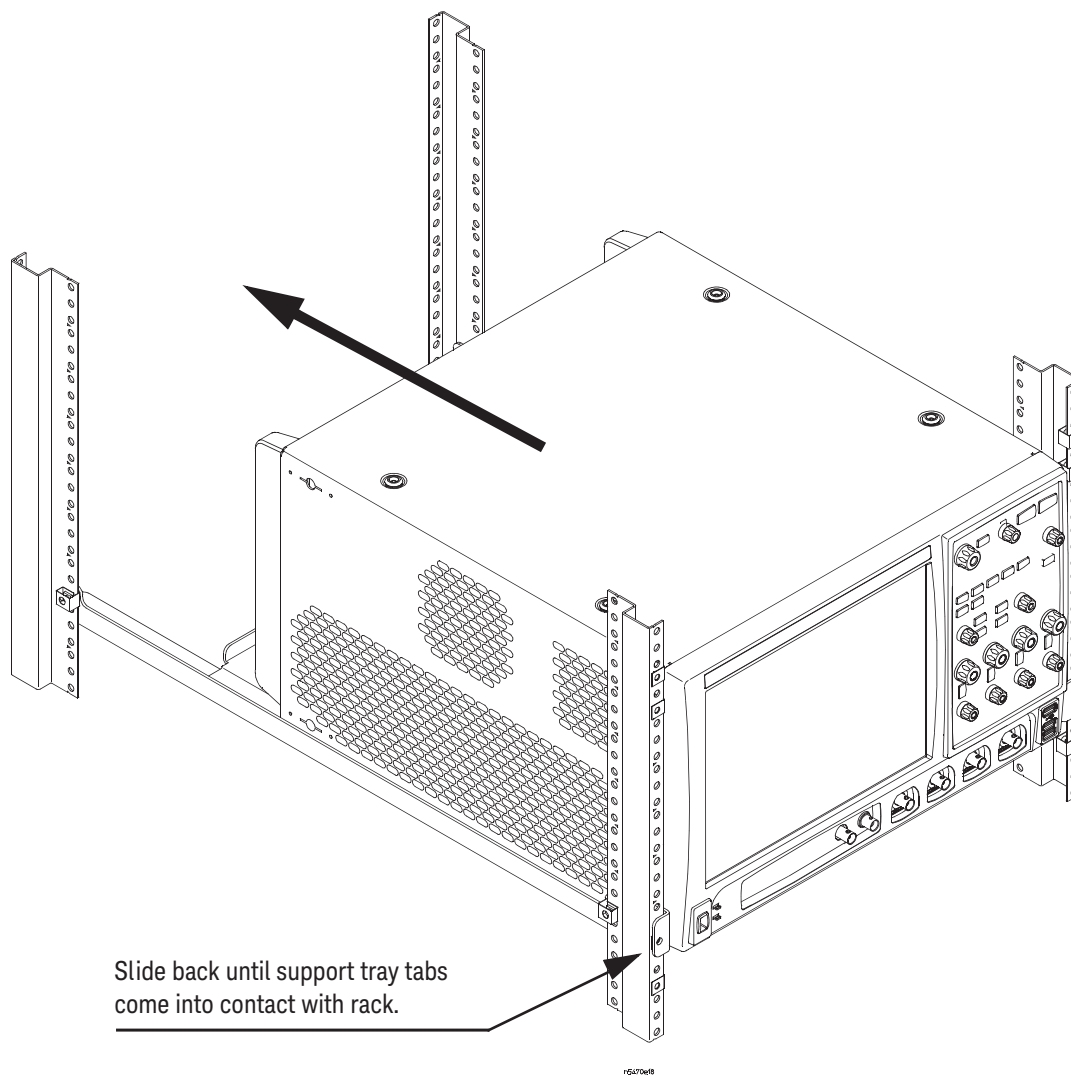


- 6 Attach the track rails to the rack using the four 10-32 flat head screws and #2 Phillips screwdriver provided.



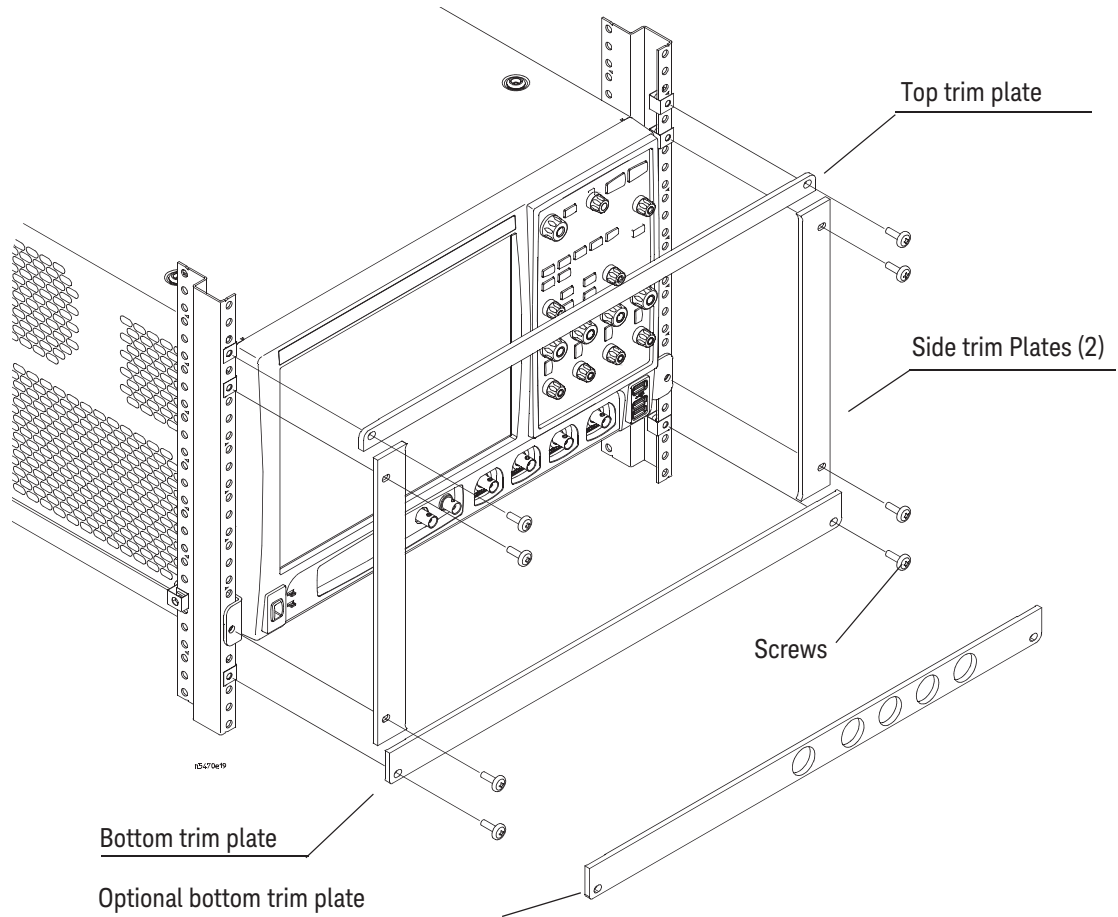
## Installing the oscilloscope into the rack

- 7 Carefully place the oscilloscope (with the support tray attached) onto the track rails. Push the oscilloscope to the rear of the rack until the support tray tabs are against the rack.



## Attaching trim plates

- 8 Attach the trim plates using the eight 10-32 pan head screws that have nylon washers supplied. An optional bottom trim plate with cabling egress holes is provided.



The oscilloscope is now fully installed in the rack mount assembly.

## Dimensions

### Approximate Dimensions of Rack Mount Trim Plate Pieces

Side trim plate	Top trim plate	Bottom trim plate	Optional bottom trim plate
▪ Length: 26.39 cm (10.4 in)	▪ Length: 48.26 cm (19 in)	▪ Length: 48.26 cm (19 in)	▪ Length: 48.26 cm (19 in)
▪ Width: 3.11 cm (1.2 in)	▪ Width: 1.67 cm (0.7 in)	▪ Width: 2.94 cm (1.2 in)	▪ Width: 2.94 cm (1.2 in)



This information is subject to change without notice.

© Keysight Technologies 2016

Printed in Malaysia

February, 2016



N5470-92002

[www.keysight.com](http://www.keysight.com)